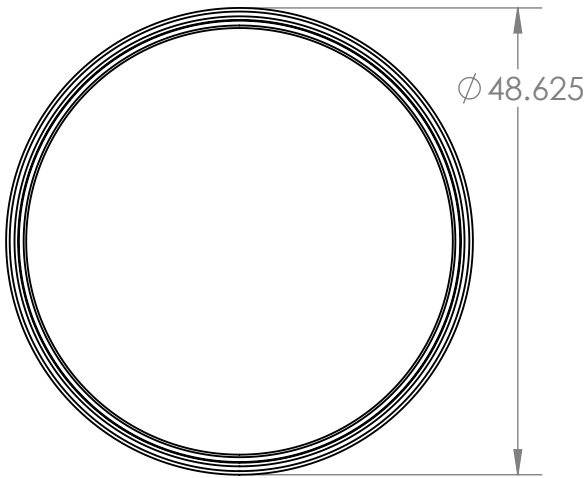
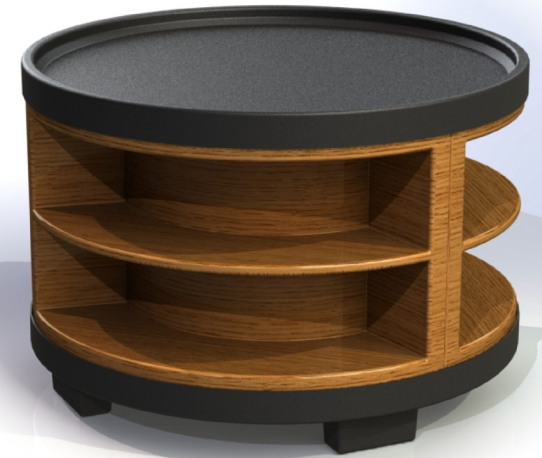
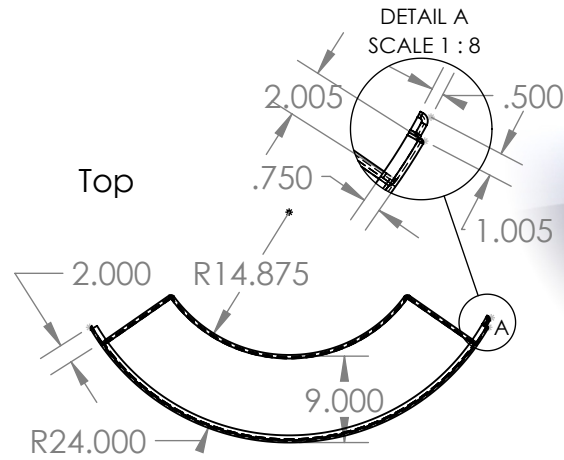


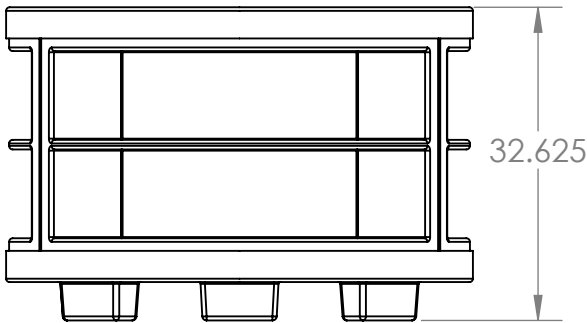
Top



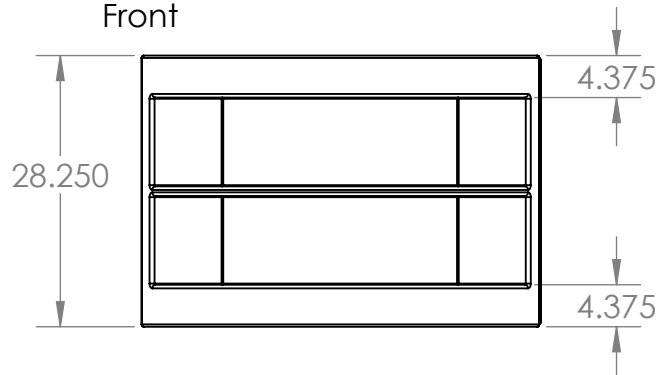
Sleeve Only



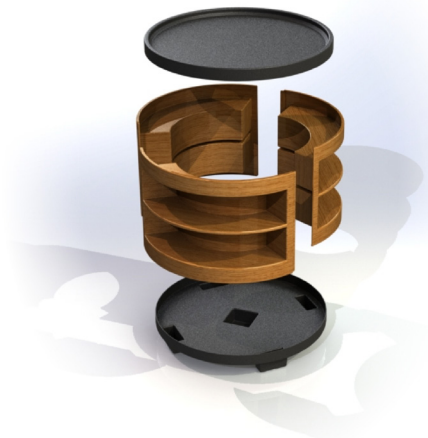
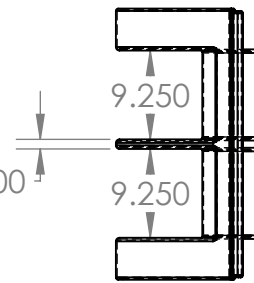
Front



Front




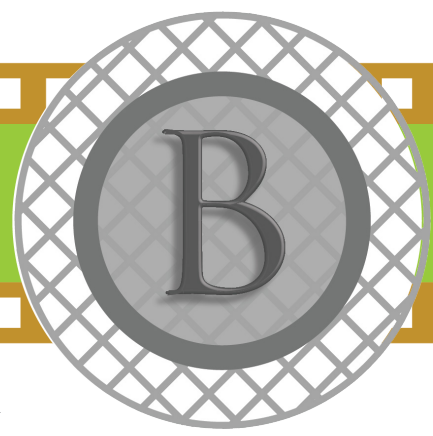
Right



PROPRIETARY AND CONFIDENTIAL

THE INFORMATION CONTAINED IN THIS DRAWING IS THE SOLE PROPERTY OF BORRAY MFG INC. ANY REPRODUCTION IN PART OR AS A WHOLE WITHOUT THE WRITTEN PERMISSION OF BORRAY MFG INC IS PROHIBITED.

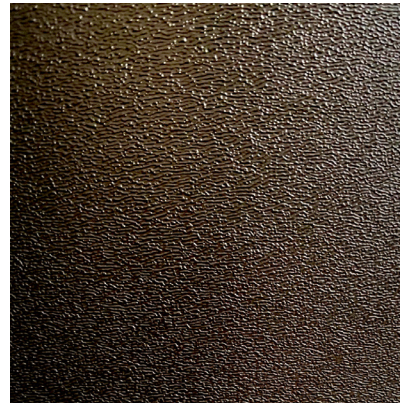
	NAME	DATE	ENG.	JOCELYN R. C.	
DRAWN	J.R.C.	12/03/2021			
CHECKED					
ENG APPR.					
MFG APPR.					
Q.A.					
MATERIAL					
					
SIZE	DWG. NO.			REV	
A	CMC-4832				
SCALE: 1:20		WEIGHT:	SHEET 1 OF 1		



ABS Materials

for all:

BOXCOM, BOXCOMSH, CBC, BINENDCAP, MPB, SQRB, BINBT, BINB, BOXICE, MBD Sleeves



Black Textured

Add "BLK" to item number



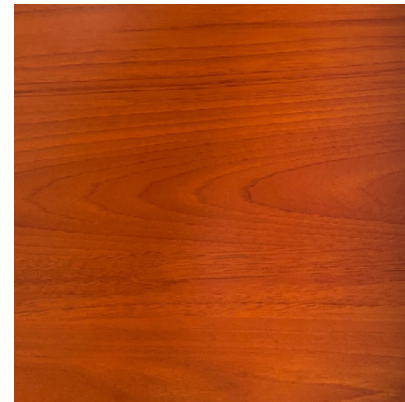
Weave

Add "WE" to item number



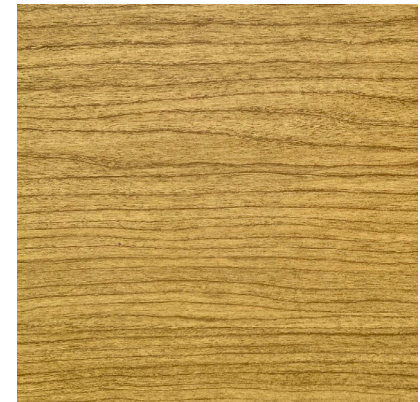
Gray Woodgrain

Add "GRAY" to item number



Yorkshire Cherry

Add "YSC" to item number



Bamboo

Add "BB" to item number