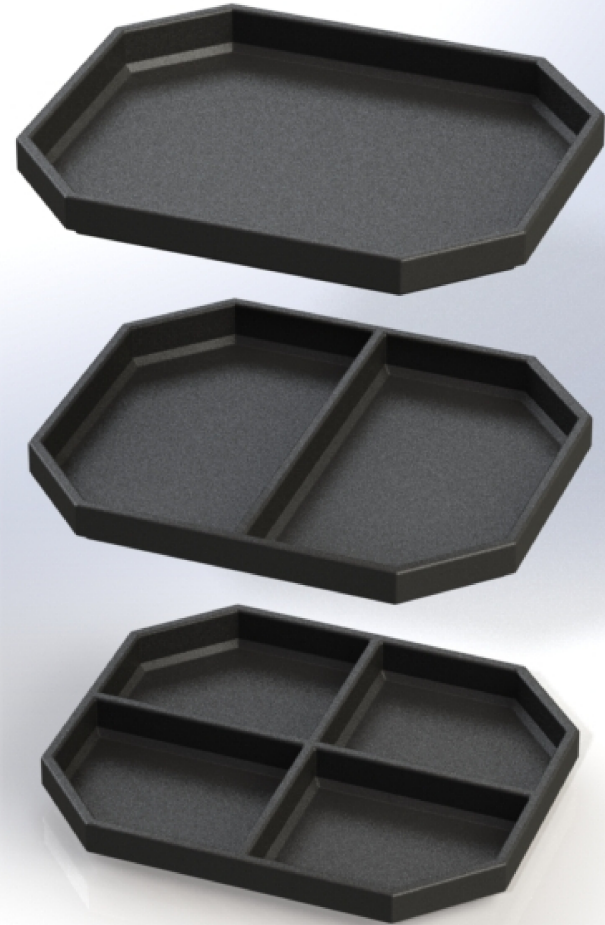
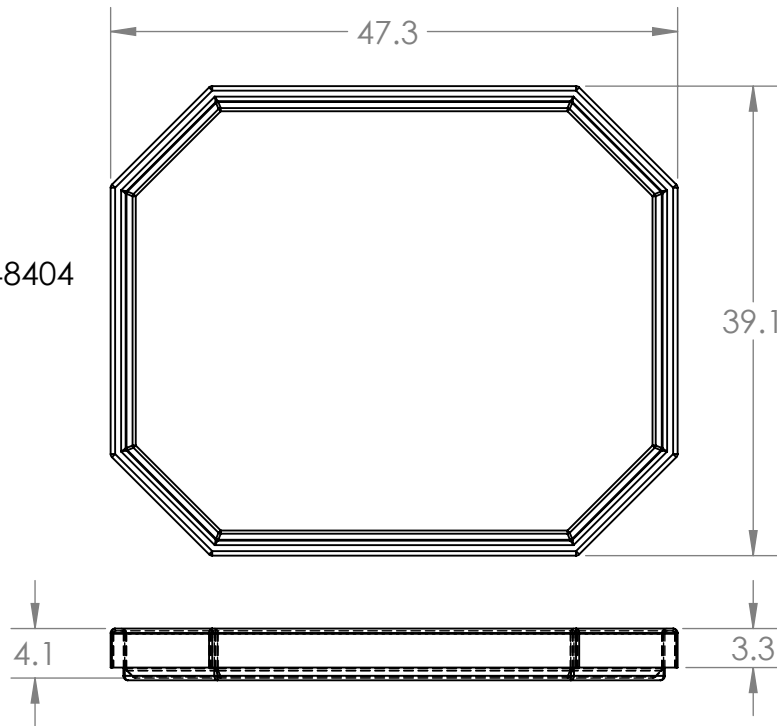
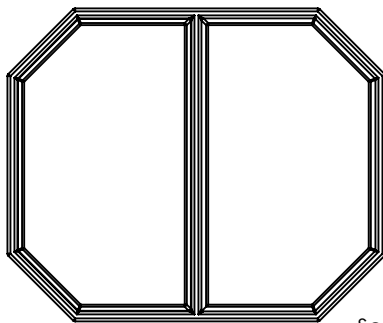


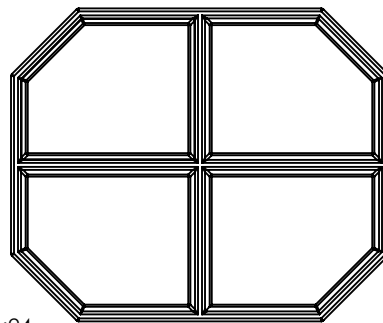
PLINER-48404



Additional Options:



PLINER2-48404



PLINER4-48404

Scale: 1:24

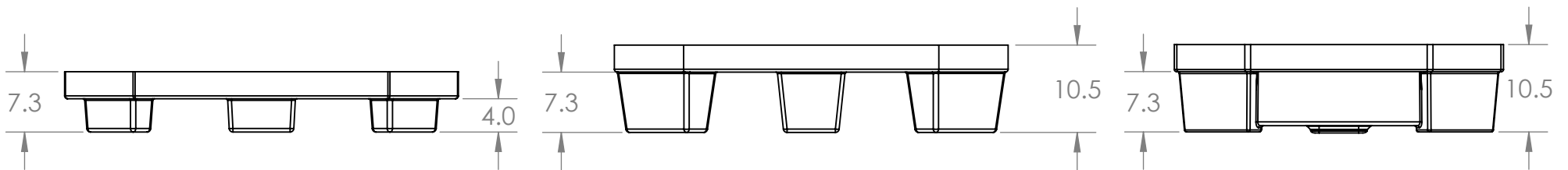
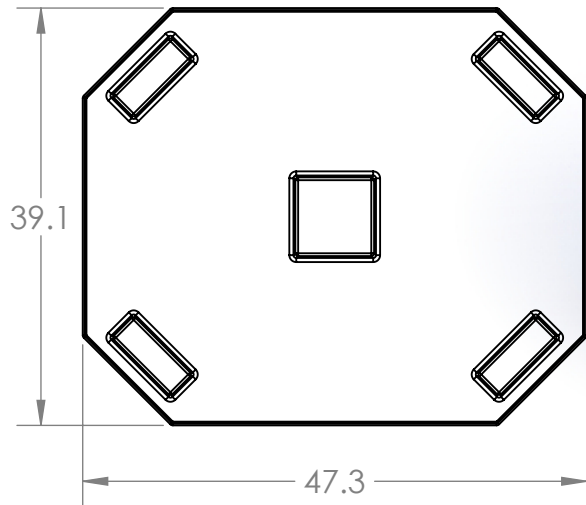
tolerance±0.5"

**PROPRIETARY AND CONFIDENTIAL**

THE INFORMATION CONTAINED IN THIS DRAWING IS THE SOLE PROPERTY OF BORRAY MFG INC. ANY REPRODUCTION IN PART OR AS A WHOLE WITHOUT THE WRITTEN PERMISSION OF BORRAY MFG INC IS PROHIBITED.

	NAME	DATE	ENG.	JOCELYN R. C.	
DRAWN	J.R.C.	06/25/21			
CHECKED	J.R.C.	01/12/23			
ENG APPR.					
MFG APPR.					
Q.A.					
	MATERIAL				
	Blk ABS				
SIZE	DWG. NO.	PLINER-48404		REV	
<b>A</b>		PLINER2-48404			
		PLINER4-48404			
SCALE: 1:16	WEIGHT:	SHEET 1 OF 1			





**PROPRIETARY AND CONFIDENTIAL**

THE INFORMATION CONTAINED IN THIS DRAWING IS THE SOLE PROPERTY OF BORRAY MFG INC. ANY REPRODUCTION IN PART OR AS A WHOLE WITHOUT THE WRITTEN PERMISSION OF BORRAY MFG INC IS PROHIBITED.

	NAME	DATE	ENG.	JOCELYN R. C.	
DRAWN	J.R.C.	03/08/2022			
CHECKED	J.R.C.	01/12/2023			
ENG APPR.					
MFG APPR.					
	Q.A.				
	MATERIAL				
	Bik ABS				

	SIZE	DWG. NO.	REV
	<b>A</b>	PALLIN-48407, PALLIN-484010, PALLIN-484010C	
SCALE: 1:18	WEIGHT:	SHEET 1 OF 1	